

G7810K Cabinet Lock

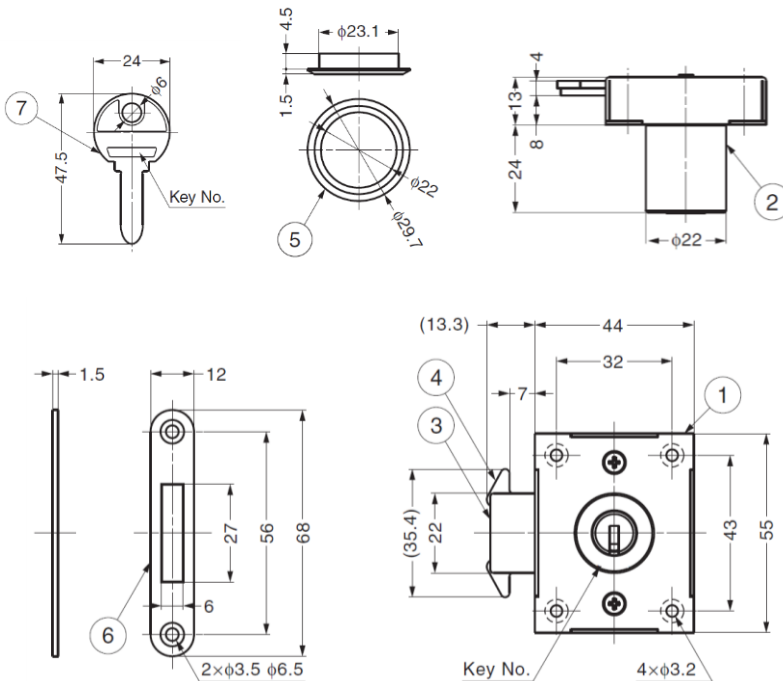
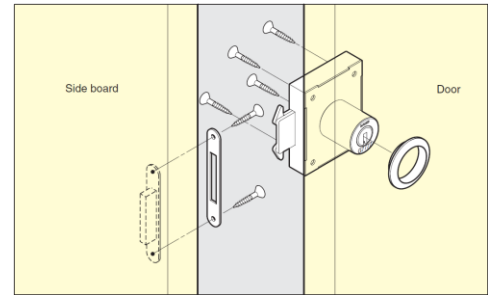
Features

- Can be used in single sliding door and single swing door
- Reversible key
- Turn the key 360° to lock or unlock
- Special dead bolt for high security
- 1 million key changes available
- Master key system available on request (max. 2,520 key changes per master key)
- Keys can be shared with other **Million Lock Series**

Parts Included

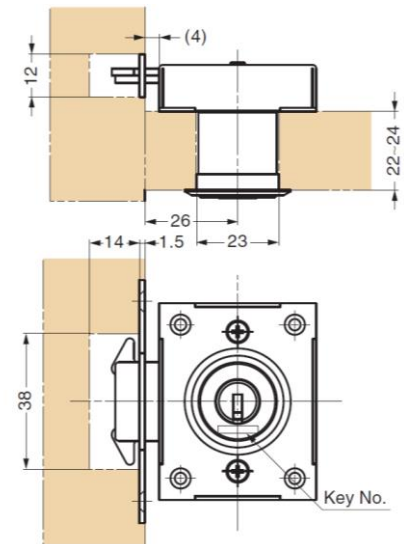
- Countersunk head wood screw 3.1×22, 2.7×13 (SUS)

No.	Part Name	Material	Finish
①	Body	Stainless Steel (SUS304)	Satin
②	Cylinder	Brass	Satin Nickel, Chrome
③	Dead Bolt	Stainless Steel (SUS304)	Plain
④	Latch	Stainless Steel (SUS304)	Polished
⑤	Ring	Brass	Satin Nickel, Chrome
⑥	Strike	Stainless Steel (SUS304)	Satin
⑦	Key	Brass	Nickel



Optional Parts

- Spacer **G6810-SP**



Part No.	Style	Key Type	Cylinder Finish	Cylinder Diameter	Door Thickness
G7810K-24-SNI-L-B	Right Handed Door	Keyed Differently	Satin Nickel	Ø 22	22 ~ 24
G7810K-24-SNI-L-D		Keyed Alike			
G7810K-24-CR-L-B		Keyed Differently	Chrome		
G7810K-24-CR-L-D		Keyed Alike			
G7810K-24-SNI-R-B	Left Handed Door	Keyed Differently	Satin Nickel		
G7810K-24-SNI-R-D		Keyed Alike			
G7810K-24-CR-R-B		Keyed Differently	Chrome		
G7810K-24-CR-R-D		Keyed Alike			